
V3

15.0 DIRTcar Rules

ANY CAR, TEAM AND/OR DRIVER THAT DOES NOT MEET THESE SPECIFICATIONS AND/OR EQUIPMENT REQUIREMENTS WILL BE SUBJECT TO PENALTIES AS DETERMINED BY THE DIRTcar OFFICIALS.

2017 DIRTcar Late Model Rules **TO ALL COMPETITORS/PARTICIPANTS**

- ❖ Under the guideline of the 2017 DIRTcar Late Model rules any and/or rules and as stated in the 2017 DIRTcar Rule Book, all DIRTcar rules apply to all divisions. Local track rules pertaining to the racing procedures and/or overall rules that are administered by the local track officials and management may apply at local tracks in DIRTcar sanctioned events. Instances, where applicable, local track may be applied.
- ❖ The following are the 2017 DIRTcar Late Model rules. All amendments supersede any previous rules regarding any technical article and/or aspect.
- ❖ Under the guideline of the 2017 DIRTcar Late Model rules any and/or rules and as stated in the 2017 DIRTcar Rule Book, all DIRTcar rules apply to all sanctioned divisions.
- ❖ **The specifications published shall be considered a section of the “Official Rules and Specifications” for all events, series and sanctions by World Racing Group. All sections should be considered when determining specifications and governance.**

15.1 Engines

- A.) Only conventional type V-8 engines with the cam in the block will be permitted. There will be no limit on the cubic inch displacement.
- B.) All engines must be based on a manufactured, factory design.
- C.) Aluminum or steel blocks will be permitted.
- D.) All engines must be normally aspirated with a single conventional-type four (4) barrel carburetor.
- E.) The engine must have an operating self-starting mechanism. Vehicles that require a ‘push start’ will not be permitted.
- F.) Only a single distributor and magneto will be permitted. Coil pack and/or engines that have individual ignition systems, electronic or mechanical for each cylinder will not be permitted.
- G.) A maximum of 25 ½”-inches from the center of the ball joint to the front of the motor plate/engine bell housing flange will be permitted.
- H.) Only two (2) valves and one (1) spark plug will be permitted per cylinder.
- I.) In the event that there are new engine components and/or a new engine configuration they must be submitted per the World Racing Group submission requests prior to being introduced into competition.

15.1.2 – Transmission/Driveline and Driveline Components

- A.) Direct drives systems of any-type will not be permitted.
- B.) The transmission must be bolted to the engine and it must have forward and working reverse gear(s) and must be able to shift to forward or reverse with engine running.
- C.) All cars must be equipped with a working self-starter.

15.1.3 – Driveshaft

- A.) The driveshaft must be a minimum of 2”-inches in diameter. All drive shafts must be painted white.
- B.) Only one (1) drive shaft connected from the transmission to the center section of the rear end will be permitted.
- C.) A minimum of one (1) driveshaft hoop / sling must be fastened securely to the frame. It is recommended that two (2) driveshaft hoops / slings be used.

15.1.4 – Rear End

- A.) Any type of rear end differential / center section will be permitted.
- B.) Live-axle type rear ends will not be permitted.
- C.) Independent rear suspensions will not be permitted.
- D.) Floater-type wide-five hub assemblies will be the only hub assemblies permitted.

-
- E.) .The axle housing must be of the “closed tube” design utilizing “full floating” magnetic steel axle shafts.
 - F.) The center section of the axle housing must be manufactured of either aluminum or magnesium.
 - G.) Axle tubes must be one (1) piece. Axle tubes must be manufactured of aluminum or magnetic mild steel. Axle tubes manufactured of exotic, heavy materials will not be permitted. The outside diameter of the axle tubes must not exceed three (3) inches. Axle tube internal inserts or external sleeves will not be permitted. The addition of any ballast weight to the axle housing will not be permitted.
 - H.) Axle tube, including axle tube sleeves, donuts, or added parts may not exceed (3) three inches O.D. (outside diameter) at any point from center section to hub.

15.2 Fuel, Fuel Cells and Fuel System

- A.) All cars must have fuel cells that meet and/or exceed FT3 specifications. The fuel cell must have a maximum capacity of 35 gallons.
- B.) The fuel cell must be enclosed completely in a container that is a minimum thickness of 20-gauge magnetic steel and/or .060"-inch aluminum.
- C.) The entire container must be visible for ease of inspection.
- D.) The fuel cell must be mounted behind the rear axle between the rear tires, a minimum of 4"-inches ahead of the rear bumper. The bottom of the fuel cell must not be any lower than the bottom of the rear end/quick change housing.
- E.) The fuel cell must be mounted with a minimum of two (2) .125"-inch thick steel straps. The straps must cover the entire cell. Fuel cells that are mounted in a square tubing frame will be permitted. A minimum of 7/6"-inch ASTM Grade 8 bolts must be used to mount the fuel cell to the frame.
- F.) The fuel pick up must be positioned on the top or right side of the fuel cell and be constructed of steel. The fuel pick up must have a check valve.
- G.) Only racing gasoline or alcohol will be permitted for competition. Nitrous oxide, nitro-methane and/or propylene oxide will not be permitted.
- H.) For the purpose of inspection, the driver and/or crew must be prepared to drain fuel upon request for inspection and/or measurement.
- I.) Only mechanical and/or belt driven fuel pumps will be permitted. Fuel injection system(s) and/or electrical fuel pumps and/or any type of pressurized fuel system will not be permitted.

15.3 Electrical Systems, Batteries, Electrical Accessories:

- A.) The battery must be securely mounted with positive fasteners and brackets.
- B.) The battery terminals must be insulated and the battery enclosed with a non-conductive material that will prevent contact with any part of the race car should the battery become dislodged from the battery mount.
- C.) One (1) mandatory battery disconnect switch must be installed on the rear deck, behind the driver seat, in a location that is easily accessible from outside the race car. The switch must be clearly labeled with off/on direction. The switch must be directly in-line with the NEGATIVE battery cable and be capable of completely disconnecting the NEGATIVE terminal of the battery from the race car. Negative or “ground” wiring connections must not be made anywhere from the battery negative terminal to the input side of the disconnect switch.

15.4 Exhaust - Muffler and Sound Reduction Devices

- A.) The exhaust flow must be parallel to the ground. Exhaust systems that direct the flow toward the ground will not be permitted.
- B.) All exhaust systems/headers must end with a collector.
- C.) Several tracks have a locally enforced decibel rule, which preempt any particular muffler rule. Some tracks may have a maximum sound level rule of 95 decibels at 100 feet. This rule will be enforced by local government agencies.
- D.) If a decibel rule is in place, then the decibel rule must be met, regardless of the specified muffler application.

15.5 Traction Control / Radio / Transmission Devices

- A.) All electronic and/or computerized wheel spin and/or ignition retardation and/or acceleration limiting and/or traction control devices of any type will not be permitted.
- B.) Adjustable ping control devices, dial a chip controls, timing controls and/or automated throttle controls will not be permitted.
- C.) Adjustable restrictor plates will not be permitted.
- D.) Remote control components of any-type will not be permitted.
- E.) Radios and/or devices for transmitting voice and/or data will not be permitted.

F.) Data acquisition systems will not be permitted.

15.6 Chassis/Frame

- A.) The minimum wheel base will be 103"-inches with a maximum wheel base of 105"-inches.
- B.) All frames must be fabricated from magnetic steel with a minimum of 2"-inches x 2"-inches or approved rectangular magnetic steel with a minimum material thickness of .083"-inches.
- C.) A minimum of 1.75" Outside Diameter magnetic steel tubing, 4130 Chrome Moly or DOM with a minimum material thickness of .083"-inches, will be permitted for frames that are fabricated from round tubing.
- D.) Rear bumpers that are stubbed may only extend a maximum of 8"-inches beyond the frame. Any stubbed rear bumper that extends further than the maximum of 8"-inches must be formed and directed 8"-inches toward the front of the car.
- E.) External rub rails will not be permitted.
- F.) All cars must be equipped with a tow hook and/or strap for the purpose of towing.
- G.) All battery supports and/or mounts must be secure and braced in two (2) horizontal positions and one (1) vertical position.
- H.) Any frame built on or after January 1st, 2006, must have the builder's unique serial number plate prominently attached to the left side roll cage upright. The plate must be welded in place. All characters on the plate must be a minimum of ½"-inch in height and the serial number must not exceed 8 characters.

15.7 Weight / Ballast (refer to 5.3 E-J for additional weight specifications)

- A.) The total weight of the car with the driver will be;
 - a. A minimum of **2,350 lbs** as weighed on the track scales for a car with an aluminum engine block.
 - b. For any car using the Chevrolet Performance 602 or 604, A minimum of **2,250 lbs** as weighed on the track scales.
 - c. At specified events a minimum of **2,300 lbs** as weighed on the track scales for a car with a Steel Block engine.
- B.) Weights up to 50 lbs must be positively fastened by 2 ½-inch, minimum grade 5 bolts with a minimum of two (2) weight clamps. Threaded rods will not be permitted. All weights must be painted white and clearly labeled with the car number on it.
- C.) **All added weight(s) must be securely attached to the frame below the body decking.**
- D.) **Frame is defined as the steel welded structure only.**
- E.) **Any part that moves or is not a fixed component to the steel frame structure may not be used for any weight attachment.**
- F.) Weights attached to the rear bumper and/or outside the frame will not be permitted.
- G.) Any car that loses any weight/ballast during an event may be subject to a penalty.
- H.) Weights attached to the rear bumper and/or outside the frame will not be permitted.
- I.) Pellet-type and/or liquid-type weight/ballast will not be permitted.
- J.) Driver operated weight adjustment, 'weight jacking' devices will not be permitted.
- K.) The scales used for the event, provided by the series or the track will be considered the official scales for the event.
- L.) Scales will be available for any team to verify its car weight and determine the scale weight.
- M.) Officials will allow a car to re-scale two times by pulling off scale and pulling back on. Reading of the third attempt will become the entered weight.

15.8 Brakes, Brake Components, Wheel Hub:

- A.) Brake calipers must be manufactured of aluminum.
- B.) The brake caliper including brake caliper pistons must be used as produced by the brake caliper manufacturer.
- C.) **Brake rotors must be manufactured of magnetic or stainless steel.**
- D.) Brake rotors must be used as produced by the brake rotor manufacturer.
- E.) Wheel hubs must be manufactured of **aluminum or magnesium.**
- F.) Wheel hubs must be used as produced by the wheel hub manufacturer.
- G.) **The combined weight of the wheel hub, wheel bearings and seal, spindle nut and washers, brake rotor and attaching hardware, the axle cap, and the wheel spacer must not exceed 27 pounds.**

15.9 Body (Refer to diagrams 1 - 4 attached)

15.9.1 – Overall Appearance

- A.) The car must be neat in appearance and must display the car number on the front nose and the rear fuel cell. The minimum height for the number will be 6"-inches.
- B.) The car must have legible numbers on each side and on the roof a minimum of 18"-inches high,
- C.) The driver's last name must be placed in legible letters on both doors or the rocker panels

15.9.2 - General Body

- A.) The nosepiece must match the body style of the make and manufacturer of the car and be the same as the make and manufacturer of the motor (GM, Ford, Mopar).
- B.) All cars must have a minimum half-inch (1/2") and a maximum of one (1) -inch radius at the top of fenders, doors and quarter panels. Sharp edge(s) will not be permitted.
- C.) The floorboards and firewall must completely cover the driver's area with no openings.
- D.) Fins and/or lips of any-type will not be permitted anywhere along the entire length of the car.
- E.) The bodyline must be a smooth even line from front to rear.
- F.) Wedge shape cars and/or body styles will not be permitted.
- G.) "Belly pans" or any type of enclosure on the bottom of the car will not be permitted. A skid plate to protect the oil pan is permitted. A maximum 1/8" skid plate will be permitted.
- H.) Wings and/or tunnels and/or any type of air deflection device will not be permitted underneath the body and/or chassis of the car.
- I.) A maximum of one (1) stone deflector, for rear mounted oil pumps, oil filters, and for the main oil tank will be permitted. The deflector may be made of steel, aluminum, or heavy gauge wire. The cover may only be mounted near the unit it is designed to protect with a maximum size of 18" x18" and only mounted from the upper right frame rail to the lower right frame rail.
- J.) Panels of any type under the rear deck running from the front to the rear of the car will not be permitted.
- K.) Bodies that are non-approved will be assessed a weight penalty. The minimum weight penalty will be as follows; 25 lbs per inch of the infraction.
- L.) Any style air cleaner scoop used must be positioned in front of/around the air cleaner and must not exceed 1"-inch in height above any part of the air cleaner. Any type of flange and/or air deflection device and/or fin that is designed to direct airflow will not be permitted.
- M.) Cockpit adjustable components with the exception of brake bias adjusters will not be permitted. Adjusters of any-type, including but not limited to adjustable shocks, hydraulic or pneumatic weight jacks, trackers, ignition boxes or similar adjustable components will not be permitted inside the cockpit of the car or within reach of the seated driver.
- N.) **The top edge, measured from the ground, of the rear quarter, door and front fender to the point where the fender flare attaches must be a straight line, within one inch on both sides of the car**

15.9.3 – Nosepiece

- A.) Only approved nosepieces will be permitted. A list of approved manufactures and part numbers for competition in World of Outlaw Late Model and UMP DIRTcar competition follows:
 - a. Dominator – The Official Nose of DIRTcar
 - b. MD3 – Performance Bodies
 - c. ARP Air Speed nose
 - d. Five-Star MD3 type
 - e. Performance Bodies/Five Star MD3 2015
 - f. **Performance Bodies / Five Star 2016 Evolution**
- B.) Approved nose assemblies must be installed per the manufactures instructions. All nose assemblies must meet the maximum/minimum dimensions, shall maintain manufacture appearance and not be altered.
- C.) Front nose assemblies, not meeting the maximum/minimum dimensions, at the series discretion, may be permitted to compete as a "non conforming" nose with a minimum of 50 additional pounds mounted in front of the motor plate. At series discretion, degree on non-compliance may require additional weight and/or placement of penalty weight in front of radiator.
- D.) All nosepieces must be made of molded type material.
- E.) **Nose filler panel shall be flat across the entire surface, dishing or raising prohibited**
- F.) Two piece noses must be positively fastened together in the center. Spacers added to gain width will not be permitted.

-
- G.) The nosepiece must be mounted in a manner that does not alter its original shape.
 - H.) The nose shall remain flat above the nose lip/wicker bill. Alterations and/or additions may be made to this area other than cooling holes will not be permitted.
 - I.) The nosepiece can extend a maximum of fifty-three inches (53") from the center of the front hub to the farthest point extending forward.
 - J.) The nosepiece must display a headlight decal package. A one-race grace period, running contrasting color tape in the shape of a headlight will be permitted.
 - K.) **A maximum of three two inch holes may be drilled into the nose for the sole purpose of air flow for engine cooling purposes. No ducts of any type will be allowed.**

15.9.4 - Roof

- A.) The roof length from front-to-back must be a minimum of 44"-inches with a maximum of 54" inches.
- B.) The roof width from side-to-side must be a minimum of 48"-inches to a maximum of 52"-inches.
- C.) The roof must be stock appearing and be mounted level to the body.
- D.) The minimum height of the roof will be 45"-inches with a maximum height of 48"-inches.
- E.) The roof must be mounted parallel to the body and near the center of the car as viewed from the front of the car.
- F.) A maximum 1-1/2" roll, turned downward will be permitted along the front edge of the roof. A maximum 1"-inch roll, turned downward, will be permitted along the rear edge of the roof. These modifications will be permitted to improve the strength of the roof. Any other modifications to the roof will not be permitted.
- G.) Flat and/or odd shaped roofs will not be permitted. Bellied and hollowed roofs will not be permitted.
- H.) Any sun/antiglare shields may not exceed a 4" drop from the top roof line, and must hinge for easy exiting.
- I.) A maximum of two (2) roof edge bead rolls of a maximum height of 1/2"-inch the length of the roof will be permitted.
- J.) The roof posts and spoiler support(s) may not overlap.
- K.) Only single plated roofs will be permitted.
- L.) The maximum thickness of the roof at any point will be 1/2"-inch.
- M.) The roll cage and associated frame members above the interior panels (decking) must remain open. Enclosures will not be permitted.

15.9.5 Roof Supports and Window Side Panels

- A.) All roof side panels must extend to the edge of the body.
- B.) The roof side panel window size must be a minimum of 10"-inches x 15"-inches and must match drawing number -2- side view. A maximum crown of two (2) inches will be permitted, measured from the center of a common tangent point on either side of the crown.
- C.) The side window area may be covered with clear Lexan and/or equivalent type material, be cut out and/or represented by a decal. Both roof support openings must be covered and/or both must be left open. The left and right side openings must be the same size with a tolerance of one (1) inch.
- D.) The left and right side window panels must match.
- E.) A maximum bow of two (2")-inches outward on the window side panels as viewed from behind will be permitted.
- F.) The front roof supports up to 2"-inches in width must extend forward to the rear of the hood.

15.9.6 Front Fenders, Fender Flares and Hood

- A.) The hood and the front fenders must be level and flat from the left to the right side of the car.
- B.) The outside edges of the hood and/or the fender must remain inside the overall bodyline.
- C.) The front fender may be a maximum of 37"-inches in height, measured vertically from the ground to the top of the fender behind the front tires.
- D.) The front fender flares must be made of plastic and must not alter the original shape of the nose piece.
- E.) The front fender flares must not extend beyond the front tires more than 1"-inch per side to a maximum width, edge-to-edge, of 90"-inches in width with the wheels pointed straight.
- F.) The front fender flares must be flat across the entire width of the car. **Front fender flairs shall not extend, bubble or rise more than a maximum of four inches (4") at any point of the front fenders and/or hood.**

-
- G.) The front fender flares must have collapsible supports.

15.9.7 Doors

- A.) The door-to-door measurement must not exceed 76"-inches in width at the top of the doors.
- B.) The door-to-door measurement must not exceed 82"-inches in width when measured at the bottom of the doors in the center of the car.

The doors must not exceed 37"-inches in height when measured from the ground to the top of the door. **The measurement from the ground to the top of the door, on both sides of the car – right door and left door, must measure within one inch (1") variance.**

- C.) The door sides may not break inward from the top 76"-inches and bottom 82"-inch measurements. Hollow and/or belled doors will not be permitted.
- D.) The minimum ground clearance will be 3"-inches.

15.9.8 Quarter Panels

- A.) The maximum distance from the center of the rear hub to the top quarter of the panel is 52"-inches.
- B.) The quarter panels must not exceed 76"-inches in width at any point as measured at the top of the panels.
- C.) The rear deck must taper in a symmetrical manner from the center of the rear hub to the rear spoiler with a minimum width of 72"-inches and a maximum width of 76"-inches.
- D.) The maximum width for the quarter panels measured from outside-to-outside measured 19"-inches from the ground and/or at the bottom of the quarter panel will be 86"-inches.
- E.) Any breaks and/or bends formed in the sides of the quarter panel that move the panel toward the center of the car will not be permitted. Hollow and/or bellied panels will not be permitted.
- F.) The maximum distance from the center of the rear hub to the rear trailing edge of the quarter panel will be 48"-inches.
- G.) G.) The maximum height from the ground to the top of the rear deck at the top of the rear quarter panel is 38"-inches.
- H.) A minimum of 2"-inches of tire clearance between the tire and the body will be required.
- I.) Skirting that extends behind the rear quarter panel will not be permitted.

15.9.9 Spoilers and Spoiler Braces/Supports

- A.) Only aluminum and/or Lexan and/or Lexan-type rear spoilers will be permitted.
- B.) The maximum overall height of the rear spoiler will be 8"-inches. The maximum width of the rear spoiler, including braces and/or supports is 72"-inches.
- C.) The rear spoiler must begin at the deck and extend 8"-inches from that point. Suspending the spoiler to create a wing-type device will not be permitted.
- D.) The rear spoiler must begin at the rear most point of the quarter panels.
- E.) Only three spoiler braces/supports will be permitted. The front edge of the spoiler brace/support must be in line with the spoiler.
- F.) The outside spoiler supports must not be mounted any wider than the top of the quarter panel(s) and must be centered on the rear deck.
- G.) In the event that aluminum angle is used to brace the upper edge of the spoiler, the angle must not add to the height and/or length of the spoiler in any way.

15.9.10 Interior

- A.) The interior of the cockpit must be a minimum of 11"-inches below the top of the roof and/or roll cage, measured perpendicular to the ground from the bottom of the roof to the cockpit deck. Roof rolls are not part of the measurement.
- B.) The side window opening(s) must be 15"-inches from the top of the door to the bottom of the roof.
- C.) Support bars that block the right window from the driver exiting the cockpit will not be permitted.
- D.) A single rock guard (Lexan screen) tapered back from the steering wheel to the height of 1"-inch in line with the driver's chest providing the 11"-inch minimum clearance is met at any point from the roll cage to the body and/or rock guard.
- E.) If the interior deck drops, the drop must begin at the rear of the engine plate with a maximum of 4"-inches and must not drop below 4"-inches at the rear of the hood. The start of the dropped interior must remain closed as a part of the fire wall. The entire width must be closed off with sheet metal.
- F.) The interior must gradually taper up to the quarter panel height and must be level for a minimum of 20" inches from the rear

of the quarter panel and deck.

15.9.11 Driver Compartment

- A.) A full metal firewall fabricated from magnetic steel and/or aluminum must encompass the driver's compartment from front-to-rear, on both sides and floor boards.
- B.) All cars must be equipped with a quick-release type steering wheel.
- C.) Mirrors of any-type will not be permitted.
- D.) Radios and/or electronic and/or data communication devices will not be permitted.
- E.) Any edge and/or sheet metal end in and around the driver compartment must be protected with trim and/or beading and rounded. Sharp and protruding edges will not be permitted.
- F.) A substantial rock guard with a minimum of three (3) additional roll bars must be mounted in front of the driver. The rock guard must be made from wire screen. Windshield screens must be a minimum of .090-inches and must be securely fastened.

15.10 Rear Suspension & Suspension Components

A.) General

- 1) Rear suspension designs and applications are constantly evolving. Although the intent of the rear suspension rules are an attempt to accommodate the majority of suspension and suspension component designs and applications currently being used in competition, the rules cannot be absolute. Any and all new designs or modifications to an existing suspension and/or suspension component must be communicated to and approved by the Series Director before being used in competition.
- 2) Rear suspension must utilize either coil or leaf springs.
- 3) Rear suspension configuration used on current and new chassis(s) must be the design commonly known as four (4) link. Older cars currently competing with other rear suspension designs will be allowed to compete until further notification at the discretion of the Series Director.

B.) **Axle Housing, Rear Differential**

- 1) **The axle housing must be of the "closed tube" design utilizing "full floating" magnetic steel axle shafts.**
- 2) **The center section of the axle housing must be manufactured of either aluminum or magnesium.**
- 3) **Axle tubes must be one (1) piece. Axle tubes must be manufactured of aluminum or magnetic mild steel. Axle tubes manufactured of exotic, heavy materials will not be permitted. The outside diameter of the axle tubes must not exceed three (3) inches. Axle tube internal inserts or external sleeves will not be permitted. The addition of any ballast weight to the axle housing will not be permitted.**
- 4) **Axle tube, including axle tube sleeves, donuts, or added parts may not exceed (3) three inches O.D. (outside diameter) at any point from center section to hub.**

C.) Rear Suspension Frame Mounts

- 1) The frame/roll cage structure must have integral welded mounting brackets for the attachment of rear suspension components. Frame suspension mounts may be welded or bolted securely (without any movement) to the frame/roll cage structure.
- 2) The only materials used to fabricate frame suspension mounts that will be permitted are magnetic steel or aluminum.
- 3) Frame suspension mounts may be either a single or double shear configuration for mounting suspension components.
- 4) Single shear frame suspension mounts must be a minimum of 1/4 inch in thickness. Double shear frame suspension mounts must be a minimum of 3/16-inch thickness on both sides of the mount.
- 5) All frame suspension mount component mounting holes must be round and sized correctly for the fastener being used. Clearance between the fastener and the mounting hole must not exceed the next fractional drill size. Example: 1/2-inch fastener, 33/64 inch mounting hole.

D.) Axle Housing Mounts

- 1) Only one (1) axle-housing mount per side will be permitted.
- 2) **The only materials used to fabricate axle housing mounts (birdcages) that will be permitted is aluminum or magnetic mild steel. Axle housing mounts fabricated of exotic, heavy materials will not be permitted.**
- 3) **When fabricating axle housing mounts detail must be paid to functionality. The completed axle housing mounts, when comparing the right and the left side, must be as similar in design as possible.**
- 4) Axle housing mounts may be a solid (welded) type or a floating type (birdcage) design.

-
- 5) The final assembled axle-housing mount must be a one (1)-piece mount. When a floating type mount (birdcage) is fabricated using two (2) pieces, the two (2) pieces must create a common one (1)-piece pivot (barrel). The two (2) pieces must be fastened or welded together to prevent independent movement of the two (2) pieces. The axle-housing mount must attach directly to the axle tube with clearance only to permit rotation of the entire mount. Fore, aft or vertical movement of the mount or the axle housing within the mount will not be permitted. .
 - 6) Mounts for suspension attaching (radius) rods must be an integral part of the axle-housing mount. The mounts may be either a single or double shear configuration. When using a single shear configuration, a minimum thickness of 1/4 inch for magnetic steel or 1/2 inch for aluminum is required. When using a double shear configuration, a minimum thickness of 3/16 inch for magnetic steel or 1/4 inch for aluminum is required. Dynamic movement of any mount other than a rotational and pivoting movement as a result of suspension travel will not be permitted.
 - 7) Unless otherwise authorized by the Series Director, the mounting of any component(s) other than suspension attaching (radius) rods or shocks will not be permitted on the axle housing mounts.

E.) Rear Suspension Attaching (Radius) Rods

- 1) A maximum of two (2) attaching (radius) rods per side will be permitted.
- 2) The only materials used to fabricate attaching (radius) rods that will be permitted are magnetic steel or aluminum
- 3) Attaching (radius) rods may be solid or tubular material. The material may be round or hexagon in shape.
- 4) Spherical rod ends or steel clevises must be used at the end of each rod for pivoting, static length adjustment, and mounting. Bushings of any type will not be permitted.
- 5) The final assembled attaching (radius) rod must not have the capability to change length dynamically by any means or devices.
- 6) Spherical rod end sizes may be a minimum of a 5/8-inch rod end body with a 1/2 inch bearing to a maximum of a 3/4 inch rod end body with a 3/4 inch bearing.
- 7) In all applications, the correct size fastener must be used when mounting the spherical rod end to a bracket (example: 1/2 inch fastener must be used with a 1/2 inch bearing and mounting hole). Metal step spacers will be permitted to reduce the hole size of the spherical rod end bearing.
- 8) Attaching (radius) rods must mount directly to the frame suspension mount at the forward end and to the axle-housing mount at the rearward end.
- 9) All rear suspension fasteners must be magnetic steel with a minimum diameter of 1/2 inch. The use of grade 8 fasteners is highly recommended. All fasteners must be correctly sized for the component and application of use.
- 10) When rear suspension assembly is completed, the attaching (radius) rods must have a minimum of eight (8) inches between the pivots at both the frame suspension mount and the rear axle-housing mount.

F.) Rear Droop Limiter

- 1) One (1) droop-limited chain per side will be permitted.
- 2) The droop limiting chain may incorporate bump stops and/or springs.
- 3) The droop limiting chain must attach to a collar or bearing type mount on the rear axle tube and to the frame assembly directly above the lower mount. Chains to the rear axle mount (birdcage) will not be permitted.
- 4) Droop limiting chains must be mounted so that when taunt they are as close to vertical as possible.

G.) Torque Control Devices

- 1) Lift arm assemblies and pull bars will be permitted.
- 2) Only one (1) torque control device may be used.
- 3) Lift arms must attach to the axle housing using a mounting configuration that prevents any movement between the lift arm and the rear axle housing. A gusset or brace bar to prohibit side-to-side flex will be permitted.
- 4) The forward end of the lift arm may use a spring over shock assembly (5th coil), a spring or bushing, and a limiting chain.
- 5) Pull bars may be adjustable on both ends; however, the adjustments must remain fixed during competition. Adjustors within reach of the driver will not be permitted.

H.) Rear Springs

- 1) Coil springs or leaf springs will be permitted.
- 2) Coil springs must be manufactured from magnetic steel. Leaf springs must be manufactured from either magnetic steel or approved composite material.
- 3) **Spring preload adjustments for coil springs must be made using mechanical adjusting nuts on the shock**

body.

- 4) **Spring preload adjustments for leaf springs must be made using a mechanical adjusting device such as an adjustable shackle or threaded rod type mount.**
- 5) **Other than spring dampening by the shock absorber, hydraulic, pneumatic, or electrically controlled adjusting devices, (static or dynamic) that affect spring preload or race car heights will not be permitted.**

15.11.1 Shock Absorbers

- A.) Shocks are intended to dampen and help control spring frequencies in both the compression and rebound motions. The amount of force applied to move the shock piston and shaft assembly may be varied with the option of shock "builds" however the piston and shaft assembly must have the ability to move in both directions.
- B.) Mono-tube, single piston, nitrogen gas charged shocks will be permitted. All shocks must utilize mechanical oil controls, such as: spring shim(s), drum and disc(s), check ball and spring, needle and seat for internal and external shock adjustments. Magnetic and/or electro-magnetic controls are not permitted. Remote nitrogen gas reservoirs will be permitted. The remote reservoirs may contain a compression adjuster. Adjustments described above are the only shock adjustments that will be permitted.
- C.) Shock adjustments while the vehicle is in motion will not be permitted.
- D.) Shocks and shock components may only be manufactured from steel or aluminum.
- E.) Rotating parts will not be permitted inside or mounted to the shock absorber. Inertia/gyro style shocks are not permitted.
- F.) Thru-rod shocks will not be permitted.
- G.) Unless otherwise authorized, all shocks must be mounted as close to vertical as possible.
- H.) Approved shock locations are as follows:
- I.) One (1) shock will be permitted at each front wheel
- J.) One (1) shock will be permitted at the right rear wheel
- K.) Two (2) shocks will be permitted at the left rear wheel. When using only one (1) shock at the left rear wheel, the shock must be mounted behind the rear axle tube. When two (2) shocks are used at the left rear wheel, one (1) shock must be mounted behind the rear axle tube and the second shock must be mounted on top of or forward of the rear axle tube.
- L.) One (1) shock will be permitted mid-ship at the front of the lift arm assembly.
- M.) One (1) braking shock will be permitted. The shock must be mounted within three (3) inches of the center line of the rear axle center section. This shock must be mounted horizontally.
- N.) Prior to introduction into competition a new design shock absorber must be submitted to World Racing Group Officials for approval. Shock absorber manufacturers may be required to provide a board of components for inspection and display.

15.11.2 Steering Components

- A.) Only one power steering pump allowed

15.12 Roll Cage

- A.) All cars must have a roll cage fabricated from a minimum of 1-1/2" outside diameter with .065"-inch thick seamless magnetic steel tubing.
- B.) The side roll bars and/or door bars must extend into the door panels.
- C.) A minimum of three (3) bars must be utilized on the left side of the car in the door area.
- D.) Any of the bars that are utilized for the top portion of the roll cage, including, but not limited to the front and rear hoops, the top hoop and the uprights, must extend a minimum of 1"-inch above the driver's helmet.
- E.) All new frames and/or roll cages built on or after January 1st, 2006 an additional vertical side brace is required on the left side in vertical alignment with the steering wheel.

15.13 Wheels

- A.) **Only aluminum wheels will be permitted for competition.**
- B.) The wheels must be mounted to the hubs utilizing lug nuts. "Knock off" and/or single type wheel mounting systems will not be permitted.
- C.) The maximum wheel width that will be permitted is 14"-inches.
- D.) **The combined weight of the wheel, wheel hardware, wheel disc and fasteners, and tire must not exceed 40 pounds*. *The maximum combined weight in this rule is based upon current tire rules and may need to be**

adjusted in the event of an alternate tire.

- E.) The maximum front track width will be 90"-inches and the maximum rear track width will be 88"-inches, measured from the outside edge of the tire to the outside edge of the tire.
- F.) **Only approved wheel discs will be permitted. Approved wheel discs are wheel discs that are fastened to the wheel using a minimum of three (3), 1/4 or 5/16 inch diameter magnetic steel hex head bolts. The use of wheel discs with any other type of fastener will not be permitted.**
- G.) **Approved fastening (nut assembly) systems:**
Keyser Manufacturing, part #100 7-101.
Wehrs Man. Part # WM377A-312 Aluminum 5/16 / WM377S-312 Steel 5/16
Triple X Chassis Part # SC-WH-7810(1" spring) / SC-WH-7820(1 3/8" spring)
Pit Stop USA Part #:
Smith Precision Products Part # MC-516-18
- H.) **Only aluminum wheel spacers will be permitted.**

15.14 Tires

2017 DIRTcar Weekly Tire Rule

This rule will apply to all weekly tracks as well as all series and special event tracks.

- A.) **PHASE 1 OF 2017 TIRE RULE**
Tracks will be allowed to use their 2016 tire rule in order to give teams time to use up existing tires.
This rule will stay in effect until June 30 2017
- B.) **PHASE 2 OF 2017 TIRE RULE** Effective July 1st
Track choice:
 - 1. all 20's
 - 2. all 30's
 - 3. All 40'sRight rear option a 20/30/40 (Track may limit option to one, two or all three)
No groove on right rear after May 30
- C.) **PHASE 3 OF 2017 TIRE RULE** Effective July 1st
Track choice:
 - 1. all 20's
 - 2. all 30's
 - 3. All 40'sRight rear option a 20/30/40 (Track may limit option to one, two or all three)
No groove on Any tire after July 30
- D.) **2017 Summer Nationals Tire Rule**
All 20's ON RF, LF & LR
RR option 20 - 30 - 40
No groove on any right rear
- E.) The maximum size for any tire in competition is 11"-inches x 29"-inches x 15"-inches, unless otherwise specified in written form to all competitors.
- F.) The maximum outside circumference of the tire will be 93"-inches, unless otherwise specified in written form to all competitors.
- G.) The maximum width of the tires measured from the outside edge(s) of the sidewalls across the face of the tire will be 16 3/4"-inches. There will be a tire hoop used for inspection and the tire must pass through the tire hoop freely, without any manipulation or outside contact.
- H.) The tire rule for any event may be amended in written form, to all competitors per any technical bulletin.
- I.) Tires changes will not be permitted once a car has been presented to the starting grid/lineup area for any race. Any cars making a tire change will forfeit their assigned starting position for that particular race and start from the rear of the field.
- J.) Chemical alterations, vulcanizing, tire softening, defacing and/or altering the face of the tire lettering and/or tire stamping will not be permitted. Chemicals or tire softening is not permitted at any time. Tires may be inspected at any time. Any violation with any tire presented for competition may result in immediate disqualification from the events and/or other penalties including but not limited to; loss of money, fine, loss of points and/or suspension.

15.15 Personal Safety Equipment – see section 3.0

15.16 Fire Suppression

- A.) **All racecars must be equipped with a thermally deployed automatic fire suppression system. The fire suppression system will consist of a DOT approved cylinder manufactured from aluminum or steel with a**

capacity of ten (10) lbs. of fire extinguishing agent, steel or steel reinforced lines, and two (2) thermally activated discharge nozzles.

- B.) All systems must meet or exceed SFI 17.1 specifications.
- C.) Systems must be fully charged with ten (10) lbs. of Dupont FE-36 or 3M NOVEC 1230 and display a legible and valid SFI and manufacturer label depicting fire extinguishing agent, capacity, and certification date. Cylinders that or beyond useful certification date must be inspected, serviced and re-labeled by the manufacturer.
- D.) Cylinders must be mounted forward of the fuel cell. Cylinders must be securely mounted to the frame/roll cage assembly. The certification label must be unobstructed and easily accessible for inspection when the mounting is complete.
- E.) The cylinder must be connected to the nozzles with steel or steel reinforced lines.
- F.) Two (2) thermally activated nozzles must be used. One (1) nozzle must be located directly above the fuel cell in the fuel cell area and the second nozzle located in the driver cockpit area.
- G.) An optional manual override cable may be used.

15.17 Other

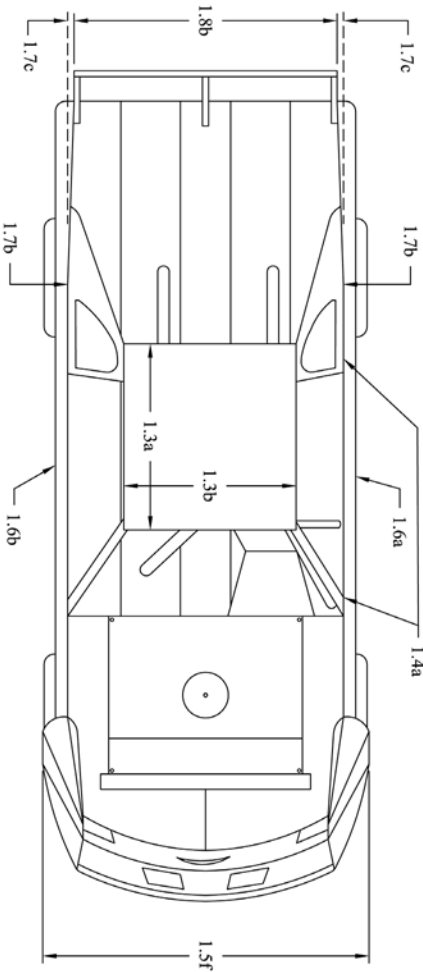
- A.) Cars will not be permitted to make a qualifying attempt without passing technical inspection. All cars must be available for inspection prior to the time of the driver's meeting. Following the driver's meeting, covers of any-type on the racecar will not be permitted.
- B.) All cars may be subject to technical inspection at any time.
- C.) Full or partial car covers will be permitted only when there is inclement weather and/or the car is in its designated pit stall. All covers shall be removed prior to the car leaving its designated pit stall.
- D.) It is recommended that all teams have a fire extinguisher in the rear of their transporter. The fire extinguisher is recommended to be a minimum Of 2.5 gallons FFF type chemical and/or equivalent.
- E.) All drivers are required to have a one-way radio. The one-way radio must be working and active prior to any 'on-track' activity. Two-way radios, crew-member to driver and/or any other means of electronic communication, other than the one-way radio, will not be permitted.

15.18 Series Decal and Patches

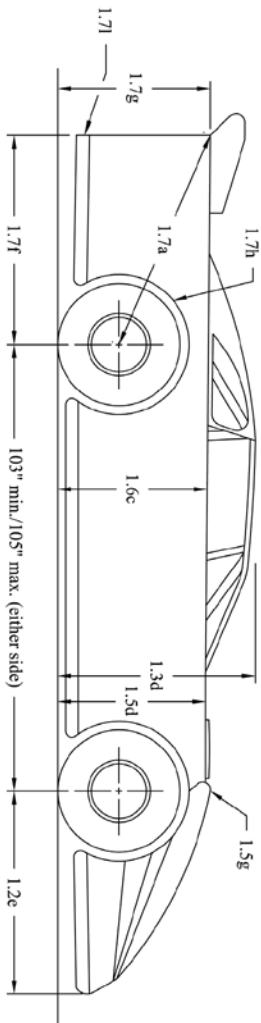
- A.) All participants will be required to display decals as provided on the decal verification sheet prior to entering into competition. If any required decal is not displayed loss of any awarded money will be the penalty.
- B.) The DIRTcar decal is required on both sides of the car for all cars participating in the event. The decal shall be visible from both sides of the car. Preferred location is at the base of the front a-post on the door panel. Alternative location or a secondary location is the outer spoiler vertical blade.
- C.) Contingency and sponsorship awards, any team participating must meet the requirements of the award(s) such as decals, patches, product use and verification. There will be a written deadline presented to the teams prior to the start of each season for each element to be in place for the award requirements. If it is an existing program it will roll over from the prior season and the program will begin at the first race of the season.
- D.) DIRTcar Officials may refuse to allow a participant to compete in an event if it is determined at their discretion that any advertising and/or sponsorship or similar agreement is detrimental to the sport, the Series, the event promoter, the World Racing Group for any reason, including the image of the sport.
- E.) Unless instructed to do otherwise the top three (3) finishers from the Feature, after being weighted, must proceed directly to victory lane and participate in all victory lane activities, including, but not limited to, top 3 photos, media interviews, victory lane photos, etc. Failure to comply will result in a minimum \$500 fine. Any extenuating circumstances will be considered.

16.0 Drawings

- 1.3a - Roof length must be a minimum of forty-four inches (44") to a maximum of fifty-four inches (54").
- 1.3b - Roof width must be a minimum of forty-eight inches (48") to a maximum of fifty-two inches (52").
- 1.4a - All roof side panels must extend to edge of decking.
- 1.5f - Front fender flares cannot extend beyond from tire more than one inch (1") in width with the wheels pointed straight.
- 1.6a - Door cannot exceed seventy-six inches (76") in its entirety at top of door.
- 1.6b - Door cannot exceed eighty-two inches (82") in width at the bottom in the center of car.
- 1.7b - The quarter panels cannot exceed seventy-six inches (76") in width at any point behind the center of the rear hub as measured at the top.
- 1.7c - Rear decks must taper from seventy-six inches (76"), as measured at the top over the rear hubs, uniformly back to seventy-two inches (72") at the spoiler, equally on both sides.
- 1.8b - Maximum spoiler width is seventy-two inches (72").

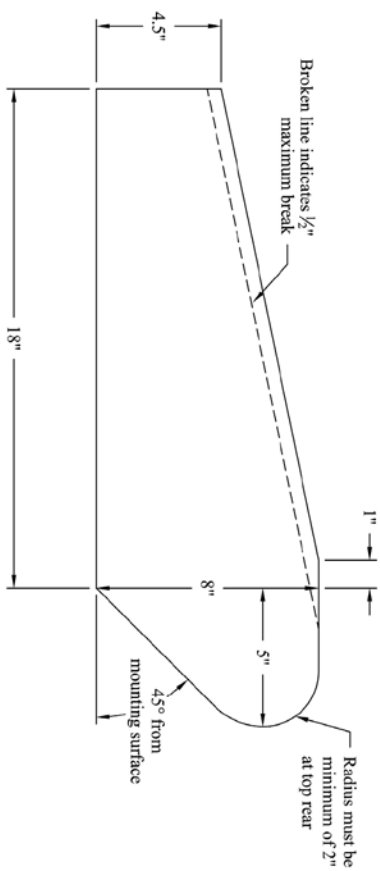


LATE MODEL
TOP VIEW DIMENSIONS



LATE MODEL
SIDE VIEW DIMENSIONS

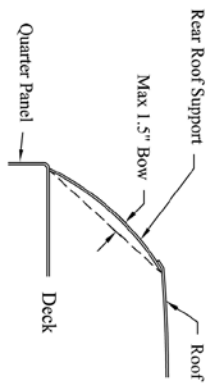
- 1.2e - Stock Nosepiece can extend a maximum of fifty-two inches (52") from center of front hub to farthest point extending forward.
- 1.3d - Roof height must be between forty-five (45") and forty-eight inches (48") from the ground.
- 1.5d - Front fenders can not exceed thirty-seven inches (37") in height measured from the ground.
- 1.5g - The front fender flares may not be higher than fenders by more than two inches (2").
- 1.6c - Doors can not exceed thirty-seven inches (37") in height measured from the ground.
- 1.7a - Fifty-two inches (52") maximum center of rear hub to top corner of quarter panel.
- 1.7e - Forty-eight inches (48") maximum length from center of rear hub to end of quarter panel.
- 1.7g - Thirty-eight inches (38") maximum height from top of deck to ground.
- 1.7h - Minimum of two inches (2") tire clearance from body.
- 1.7i - Any skirting can not extend beyond the quarter panel.



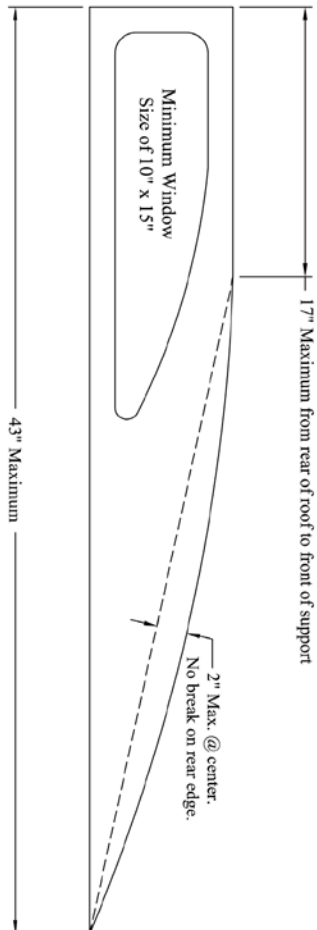
No more than three (3) spoiler supports permitted. Front edge of supports must be in line.

Dimensions Have Zero Tolerance

DIRT LATE MODEL
SPOILER SUPPORTS

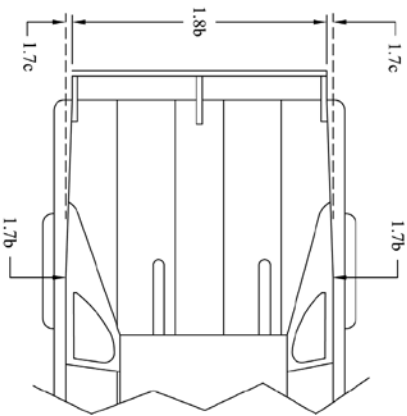


REAR VIEW



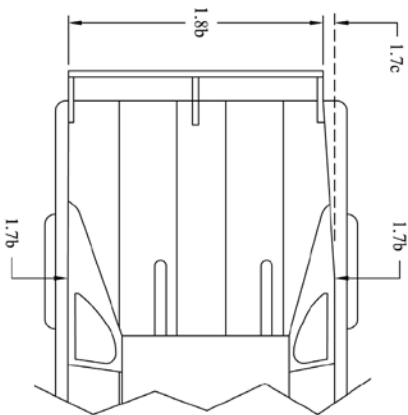
SIDE VIEW

DIRT LATE MODEL
WINDOW SIDE PANEL
& REAR ROOF SUPPORT



Option 1

Rear decks must taper from seventy-six inches (76"), as measured at the top over the rear hubs, uniformly back to seventy-two inches (72") at the spoiler, equally on both sides.



Option 2

Rear decks must taper from seventy-six inches (76"), as measured at the top over the rear hubs, uniformly back to seventy-two inches (72") at the spoiler, on the left side only.

LATE MODEL REAR QUARTER PANEL OPTIONS



SUBSTANCE ABUSE POLICY TERMS AND CONDITIONS

I. PURPOSE.

The World Racing Group (hereinafter “WRG”) is dedicated and committed to making its racing series safe for both competitors and spectators. WRG understands that misuse and abuse of alcohol and drugs, both legal and illegal, is a serious threat to the safety and security of motorsports, and by way of this policy, it seeks to control and eliminate such misuse and abuse at or in connection with its events. WRG requires the cooperation and assistance of all of its competitors and members in effectively implementing the “World Racing Group Substance Abuse Policy” (hereinafter “Policy”). WRG shall appoint a third-party organization (hereinafter “Administrator”) to help oversee the Policy and its procedures including, but not limited to, test scheduling, Participant selection of testing, on-site specimen collection, and results management. All members, drivers, mechanics, crew members, officials, workers, and others participating in WRG events in any way (hereinafter collectively “Participants”) agree to be bound by, and to comply with, the Policy terms and conditions at all WRG events at all times.

II. PROHIBITIONS.

A. Prohibited Substances.

Pursuant to this Policy, prohibited substances include those substances that, in the WRG’s sole determination or in collaboration with the Administrator, may adversely affect the safety and well-being of the Participants or the competition at a WRG event. Such substances include, but are not limited to, illegal drugs and the paraphernalia associated with the use of illegal drugs. WRG reserves the right, in its sole discretion, to make a determination with regard to the prohibition of any substance at any time. Pursuant to this Policy, said discretion includes the ability of WRG to make the determination after it receives the results of a drug test pursuant to this Policy. Participants shall not use, possess, purchase, sell, manufacture or participate in the distribution of prohibited substances, in any amount and at any time.

B. Prescriptions and Over-the-Counter Medications.

Participants shall use prescription and over-the-counter medications responsibly, and Participants should be fully informed as to the medications’ potential impact and effect on participation at WRG events. Participants should not use prescription or over-the-counter medications during WRG event if such use impairs or diminishes their skills or abilities, or if it affects the Participants’ safety or the safety of others. Even when properly used, prescription and over-the-counter medications can be dangerous and result in an unsafe environment, particularly during high speed motorsports activities.

Misuse of a prescription or over-the-counter medication by Participants, including, without limitation, use that is inconsistent with the instructions provided by the manufacturer, pharmacist, and/or the prescribing physician, is strictly forbidden. WRG reserves the right and ability to prohibit the use or

misuse of any particular prescription or over-the-counter medication, and to deem such use or misuse detrimental to the safety of Participants, the sport, and/or others. Any medication that causes Participants to have a diminished or impaired ability to perform his or her duties at a WRG event shall be deemed to be prohibited for the purpose of this Policy. The illegal acquisition and/or distribution of any prescription or over-the-counter medication is also strictly prohibited.

C. Alcohol.

On event days, Participants in WRG events are strictly prohibited from consuming or being under the influence of alcohol prior to or during the event. Participants shall be deemed under the influence of alcohol if a test taken before, during, or immediately after participation (in any capacity) indicates a blood alcohol content level at or above 20 mg per 100ml (.02%). However, nothing in the terms and conditions of this Policy shall prevent WRG from exercising its sole discretion to determine that a Participant evidencing alcohol usage in any amount (even with a blood alcohol content level of below 20mg per 100ml [.02%]) is under the influence and/or physically unfit for participating in the event. WRG reserves the right and ability to take such action in the interest of safety and in the best interest of the sport.

III. TESTING BASED UPON REASONABLE SUSPICION.

WRG can require a Participant to submit to a test or tests for the presence of alcohol, drugs or medications if a WRG event, sanctioning body official, or Administrator official has reasonable suspicion that the Participant has violated any part of this Policy or has impaired or diminished abilities to perform as a result of using a prohibited substance. Pursuant to this Policy, testing may be performed using breath, urine, saliva, and/or blood. WRG also reserves the right and ability to determine that Participants are under the influence of alcohol, drugs, or medications through the use of a physical field test checking physical impairments or diminished capacities.

Circumstances and factors that may cause WRG to have reasonable suspicion include, without limitation the following:

- A. Illegal substances or illegal drug paraphernalia is observed in the possession of the Participant at any time;
- B. The Participant is observed exhibiting one or more of the following symptoms or behaviors, which can potentially be associated with the use of alcohol, drugs, and/or medications:
 - 1) Physical signs of red or droopy eyes, and/or dilated or constricted pupils;
 - 2) Slurred speech, stumbling, or hyperactivity;
 - 3) Needle marks present on the Participant's body;
 - 4) Repeated unexplained disappearances from an event;
 - 5) A constantly running or sniffing nose, or a nose that appears consistently red or irritated;
 - 6) The inability to understand or track time, exhibited, for example, by the Participant being regularly tardy or absent from appointments or commitments;

-
- 7) Chronic forgetfulness or broken promise;
 - 8) An abnormal number of accident during events;
 - 9) Involvement in conduct which violates WRG safety procedures or involvement in careless acts during a WRG event;
 - 10) Inability to concentrate, lack of recollection, and/or lack of attention;
 - 11) Mental confusion, paranoia, or the presence of abnormal or unreasonable thoughts and ideas;
 - 12) Exhibitions of violent tendencies, loss of temper, irritability, or unreasonably aggressive behavior;
 - 13) Statements by a Participant that may indicate that he or she uses prohibited substances;
 - 14) Extreme personality changes and/or mood swings;
 - 15) Noticeably declining personal hygiene and appearance;
 - 16) A pattern of abnormal conduct;
 - 17) Violation of WRG rules or a failure to follow safe practices; and
 - 18) Evidence of attempts to falsify, alter or modify prior alcohol or drugs tests.
- C. The Participant is charged with, suspected of, or arrested or convicted for driving while under the influence of alcohol, drugs, medications, or other prohibited substances;
 - D. The Participants is charged with, suspected of, or arrested or convicted for any type of drug related offense;
 - E. The WRG receives information from a reliable source that the Participant is under the influence of alcohol, drugs, medications, or other prohibited substances on the day of a WRG event, or that the Participant is using, possessing, distributing, or selling illegal drugs or other prohibited substances at any time.
 - F. The smell of alcohol or other prohibited substance is evident on the person of any Participant on the day of any WRG event.
 - G. The results of an examination or test administered by, or at the request of WRG, indicates evidence that the Participant is or was using a prohibited or illegal substance, or the Participant is abusing alcohol;
 - H. The Participant attempts to alter or manipulate a specimen used in connection with testing under this Policy, or the Participant attempts to alter or manipulate the results of any such testing or examination.

IV. RANDOM TESTING.

Participants understand and acknowledge that WRG reserves the right and ability to implement (in its sole discretion) a random and/or annual testing procedure and require Participants to submit to such testing. The selection of Participants to submit to random or annual testing shall be made by either the WRG or Administrator.

V. AUTHORIZATION FOR TESTING; WAIVER AND RELEASE; COMPLIANCE.

If a WRG Participant refuses to sign, execute, and/or deliver an authorization for testing in connection with this Policy, and/or the “WRG Substance Abuse Policy Waiver and Release, Express Assumption of the Risk, and Indemnity Agreement” prior to participation in WRG events as required by WRG, the Participant will not be issued membership in, or a license to, WRG, and the Participant will not be permitted to participate in WRG events. In such a circumstance, if a Participant is already a member, and/or already has a WRG license, the Participant will be suspended until he or she complies with all requirements of this Policy.

Upon request pursuant to this Policy, Participants must comply and submit to testing within the time period designated by the WRG or Administrator officials. If a Participant refuses to comply with or participate in testing within the time period designated by the WRG or Administrator officials, the Participant may be removed from WRG event premises and suspended from competition. In such a circumstance, the Participant will also be subject to additional disciplinary action pursuant to this Policy.

VI. COLLECTION PROCEDURES AND TESTING PROTOCOLS.

A. Participant Notification Procedures.

WRG shall designate and assign certain WRG officials (hereinafter “Site Coordinator”) with the responsibility to carry out the following notification procedures with due care and diligence:

- 1) Designated Site Coordinator will be given a list of selected Participants by assigned Drug Testing Personnel (hereinafter “Collectors”) or WRG Officials.
- 2) Each selected Participant shall be notified in person of their selection to provide a urine sample by the Site Coordinator.
- 3) Each selected Participant shall be escorted directly to the testing area by the Site Coordinator or another assigned WRG official unless that Participant has a valid reason for a delay in reporting. Valid reasons for a delay in reporting may include, but are not limited to; pre or post competition obligations, media, medical requirements, and award ceremonies.
- 4) If the selected Participant is allowed a delay in reporting to the testing area, s/he shall be monitored by the Site Coordinator or another assigned WRG official until the selected Participant is able to report to the testing area.
- 5) The Site Coordinator shall inform the selected Participant to bring a valid form of photo identification to the testing area and to avoid over-hydrating in order to ensure a valid urine sample provision.

B. Collection of Urine Specimens.

The Administrator shall designate and assign Collectors with the responsibility to collect urine specimens and to carry out the following procedures with due care and diligence. Collectors should immediately inform a WRG or Administrator official if a Participant does not comply with any of these procedures.

- 1) Only those authorized by the Collector will be allowed in the

-
- testing area.
- 2) The Collector shall not be responsible for providing food or fluid to Participants.
 - 3) Upon entering the testing area, the Participant will provide photo identification to the Collector. If the Participant does not have photo identification, the Site Coordinator or another WRG official will positively identify the Participant by signing their name in SCAN.
 - 4) The Participant will select a unique set of beaker barcode numbers from a selection of such and that number will be recorded in SCAN by the Collector.
 - 5) The Participant may not carry any item into the testing area when a specimen is being provided.
 - 6) The Participant must remain in visual contact with the Collector until the specimen collection is complete.
 - 7) When ready to urinate, the Participant will select a sealed beaker from a supply of such. The beaker will be kept in the Collector's sight at all times.
 - 8) A Collector who is the same gender of the Participant providing a sample, will accompany the Participant into the toilet area and will instruct the Participant to rinse their hands with water only (no soap).
 - 9) The Collector, serving as the validator, will monitor the furnishing of the urine specimen by the Participant under direct visual observation until a specimen of at least 50mL is produced. The Collector must have a clear and unobstructed view of the passing of the specimen.
 - 10) If the Participant is unable to provide a complete specimen and must leave the testing area for a reason approved by the Collector, the Participant must either: (i) remain with the Collector and during this time the Participant is responsible for keeping the beaker closed and controlled under the observation of the Collector; or (ii) the incomplete specimen must be packaged in accordance with the Partial Specimen Protocol below. The Participant will be monitored by an assigned WRG official or Collector at all times until they return to provide a complete specimen at a time determined by the Collector.
 - 11) The Collector who served as the validator and observed the furnishing of the urine specimen will attest by signature in SCAN that the specimen was provided under their direct observation.
 - 12) In the presence of the Participant, the Collector will pour off a small amount of the specimen and measure the specimen's specific gravity ("SG"). If the specimen has a SG below 1.005, the specimen will be discarded in the toilet in the presence of the Participant and the Participant will be required to provide additional specimens under direct observation until a specimen of adequate SG requirements (≥ 1.005) is provided.
 - 13) When a specimen with adequate volume and SG has been provided, the Participant will select a unique specimen number and sealed specimen collection kit from a supply of such. The Collector will ask the Participant to make sure that all numbered

specimen seals match.

- 14) Under observation of the Participant, the Collector will open the sealed specimen collection kit and pour no less than 30mL of urine into the larger "A-Vial" and no less than 15mL of urine into the smaller "B-Vial". The Collector will then place the uniquely numbered seals on the vials and seal the vials for transportation to the laboratory back into the kit box that they were originally sealed.
- 15) The Collector and the Participant will attest by signature in SCAN that the collection procedures were followed.
- 16) The Collector may provide the Participant with a form that includes the date of the specimen collection, the Participant's name, and specimen number.
- 17) All specimens must be secured and controlled by the Collector at all times until handed off to FedEx. If reasonably feasible, the Collector should deliver specimens to a FedEx location as soon as possible following the completion of the collection. If circumstances do not allow for the shipment of the specimens on the same day as the collection, the Collector should store the specimens in a cool and secure location until delivery to FedEx.

C. Partial Urine Specimen Protocols

Participants who provide a partial urine specimen (*i.e.*, a urine specimen less than the required 50mL) and are required to leave the testing area for an approved reason by the Collector or Site Coordinator must be monitored by an assigned WRG official or Collector until they return to the testing area. The partial specimen will be packaged as outlined below.

- 1) The partial urine specimen must remain in the collection beaker.
- 2) The Participant will select a set of specimen seals provided from a supply of such.
- 3) The set of specimen seals includes five bar code seals (a seal for the A vial, a seal for the B vial, a shipping box seal, a seal for the Specimen Processing Form and a seal for the Participant's copy of the Specimen Processing Form) and one blank extra seal.
- 4) The Collector will place a Specimen Processing Form bar code on the white and pink copy of the Participant's Specimen Processing Form.
- 5) The Collector will have the Participant initial or sign the blank extra seal and place it on the beaker containing the partial urine specimen in such a way that the act of opening the beaker would cause the seal to be broken.
- 6) The Collector will place the sealed beaker in the larger compartment of a plastic shipping bag.
- 7) The Collector will seal the plastic bag in the same manner it is sealed for shipping of a complete specimen.
- 8) The Collector will have the Participant initial or sign a tamper evident seal placed on the bag in such a way that any subsequent seal breakage or tampering would be evident to the Participant.
- 9) The sealed, initialed specimen will remain with the Collector in

the testing area.

- 10) After the Participant returns to the testing area, the Participant will show photo identification to the Collector, inspect the bag containing the beaker to ensure it is their specimen and inspect the tamper evident seal on the beaker. If the Participant is satisfied that the bag and seal are unbroken and tamper-free, the Participant will then provide additional urine in the beaker according to the established protocol.
- 11) In the event that the Participant elects to provide a new specimen, the initial specimen will be discarded.
- 12) In the event that the Participant does not provide the required 50mL specimen and must leave the testing area again for an approved reason by the Collector or Site Coordinator, the Collector will begin with step 1 of this partial specimen protocol until the required 50mL specimen is obtained.
- 13) Once the required 50mL specimen is obtained, the Collector will package the specimen in the usual manner for shipping to the laboratory.
- 14) The Participant will sign their name indicating that all processing and packaging protocols were followed, including this partial specimen packaging protocol, and that the specimen is his/her urine with no evidence of tampering.

D. Testing Laboratory.

All testing pursuant to this Policy will be completed at a laboratory (or laboratories) selected by the WRG or Administrator, in their sole discretion, from the listing of those laboratories that have been certified by the Substance Abuse and Mental Health Services Administration of the United States Department of Health and Human Services and/or by the College of American Pathologists Forensic Urine Drug Testing Program (hereinafter the "Laboratory").

E. Testing Specifics.

The Laboratory shall determine the appropriate standards and methods of analysis regarding specimens submitted concerning WRG Participants. The Laboratory shall also determine if, and to what extent, a specimen is deemed to be a true positive for a prohibited substance and/or alcohol, along with whether or not the specimen has been altered or manipulated. The Laboratory shall transmit all testing results to an Administrator official (or officials) designated by WRG for interpretation, and for determination of the appropriate course of action.

VII. DISCIPLINE.

A. Positive Tests.

Any tests conducted under the Policy will be considered "positive" under the following circumstances:

- 1) If any prohibited substance is detected in the specimen provided by the Participant.
- 2) A Participant fails or refuses to take a test pursuant to Section IV

or otherwise engages in activity that prevents the collection of a specimen under the Policy.

- 3) A Participant attempts to substitute, dilute, mask or alter a specimen, attempts to impair the excretion of a prohibited substance in a specimen, or attempts to tamper with a test in any way (including, but not limited to, catheterization, specimen substitution and/or adulteration).

B. Sanctions Concerning All Prohibited Substances.

- 1) Upon being notified by the designated Administrator official (or officials) of a true positive test result for a WRG Participant, the WRG Officials shall inform that Participant of the positive result and the following sanctions shall apply. **First Offense:** Participants will be withheld from competition for 90 days from the date of the test and fined \$1000. This suspension term may be reduced to 60 days with the completion of an alcohol or drug-education program. Reinstatement will be conditional on two negative tests over the final 14-day period of the suspension and payment of the fine (Note: a positive result on a re-test will count as a second offense).
- 2) **Second Offense:** Participants will be withheld from competition for 180 days from the date of the test and fined \$2500. This suspension term may be reduced to 120 days with the completion of an enhanced alcohol or drug-education program. Reinstatement will be conditional on two negative tests over the final 14-day period of the suspension and payment of the fine (Note: a positive result on a re-test will count as a third offense).
- 3) **Third Offense:** Participants will be withheld from competition for 365 days from the date of the test and fined \$5000. Reinstatement will be conditional on three negative tests over the final 30-day period of the suspension and payment of the fine

The determination of whether a test is “positive” under section VII.A.2 or VII.A.3 shall be made by the WRG in its sole determination. A Participant who violates Section VII.A.2 or VII.A.3 shall be considered to have tested positive for the category of prohibited substance in which he/she was attempting to avoid detection. If, following a suspension (and the enforcement of any other disciplinary action), a Participant desires to resume participation in any way in a WRG event, the Participant must obtain approval from the WRG Appeals Board and/or WRG Supervisory Officials and must voluntarily submit himself or herself to follow up, and regularly scheduled, testing as deemed necessary by the WRG Supervisory Officials and/or Board. Such follow up testing shall be conducted in a manner, and under certain conditions, as determined necessary by the WRG Supervisory Officials and/or Board. The follow up testing as determined by the WRG Supervisory Officials and/or Board shall also be conducted solely at the expense of the Participant. In the event that a suspended Participant submits to follow up testing and such testing shows no evidence of a prohibited substance, the WRG Supervisory Officials and/or Board may reinstate the Participant, assuming the Participant is otherwise eligible to participate, and assuming that the Participant agrees to make himself or herself available for future random tests without the need for

reasonable suspicion. Such random testing shall be conducted as the WRG Supervisory Officials and/or Board sees fit, shall take place at any time and at any WRG event, and shall be conducted at Participant's sole expense.

C. Appeals.

An appeal of a penalty imposed by any violation, as stated in the World Racing Group Substance Abuse Policy, are dictated by Section 12 of the General Rules and Specifications. Appeals will require a \$500 administrative fee. All other aspects of Section 12 will apply.

D. Therapeutic Use Exemptions.

Participants may have illnesses or conditions that require the use of a prohibited substance as treatment. In such a case, a Therapeutic Use Exemption (hereinafter "TUE") may, under strict conditions, provide a Participant with the authorization to take a needed medicine during competition. In no instance will an actively competing Participant be granted a TUE for a substance that would impair their ability to compete or endanger other Participants or spectators. If a TUE is approved that would impair a Participant's ability or endanger other Participants or spectators, that Participant will not be allowed to compete while undergoing such approved treatment. All TUE's will be reviewed by the WRG and in conjunction with a designated Medical Review Officer (hereinafter "MRO"). In order to obtain an approval for a TUE, a Participant must have a well-documented medical condition supported by reliable and relevant medical data.

E. Publication.

Participants agree that WRG may, as it deems reasonable under the circumstances, publish the results of any test or tests conducted pursuant to this Policy and the circumstances giving rise to such test to such third parties. Participants also agree that WRG may, in its discretion, publish information regarding disciplinary action taken as a result of any testing or any violation of the Policy. Participants shall have no claim or cause of action of any kind against WRG, the Administrator, or any of its officials, directors, officers, employees or agents with respect to any such publication.

VIII. PROHIBITED ACTED UNDER THIS POLICY.

If WRG determines that a Participant has engaged in any prohibited act under this Policy or has acted in a manner contrary to the purpose and intent of this Policy, WRG may remove the Participant from the WRG event premises and/or take any other emergency action as is deemed appropriate under the circumstances. In such a circumstance, the Participant will also be subject to disciplinary action as issued in the discretion of the WRG Supervisory Officials and/or WRG Appeals Board.

IX. TREATMENT FOR ALCOHOL, DRUGS, OR MEDICATIONS.

WRG shall not be involved in recommending or prescribing any particular rehabilitation programs or procedures in response to a violation of this Policy. However, WRG strongly encourages Participants in violation of the Policy to obtain professional and ongoing help and assistance. In determining potential reinstatement and future participation, WRG will take into account a

Participant's efforts to obtain professional help, and it will consider the results and successful completion of programs and assistance.

X. WRG RULES.

This Policy, as it may be amended from time to time, serves as a supplement to the currently effective WRG Rules as promulgated by the WRG Supervisory Officials and/or WRG Board of Directors. This Policy shall be interpreted and applied by the WRG in the context of and in connection with the WRG Rules. This Policy is, and shall be, binding upon all WRG members in the same manner, and to the same extent, as the WRG Rules.